

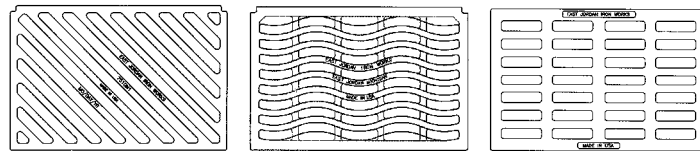
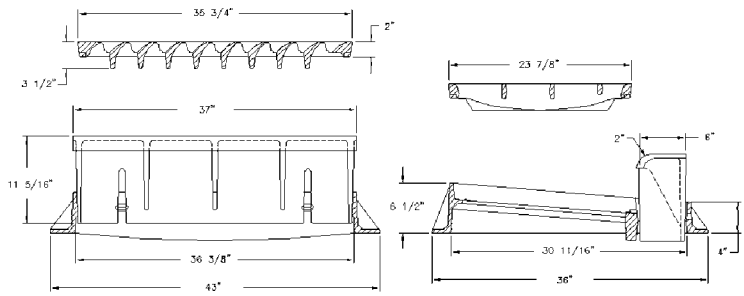
7510 CATCH BASIN CURB INLET

Heavy duty
 Accepts 7030 backs
 With Type M3 grate and 7030 T1 back
 Curb back height adjusts from 3 1/4" to 9"
 "DUMP NO WASTE!" lettering on backs



7510 Catch Basin Grates

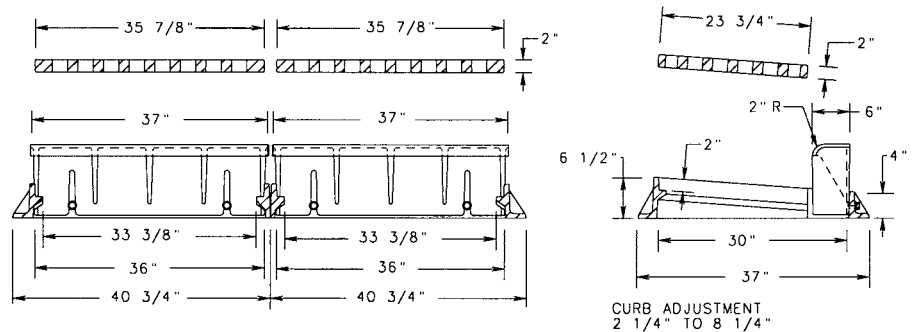
Grate Type	Sq In. Open Area
M1 Diagonal	410
M2 "S"	340
M3 Vane	446
M4 Fiat	324



Type M1 Grate Type M2 "S" Grate Type M4 Flat Grate

7511 CATCH BASIN CURB INLET

Heavy duty
 Multiple curb inlet
 Accepts 7030 backs
 Type M1 grate and 7030 T1 back
 Curb back height adjusts from 3 1/4" to 9"
 Center frame available
 "DUMP NO WASTE!" lettering on backs



CURB ADJUSTMENT
 2 1/4" TO 8 1/4"

Supplied By:



877-903-7246

www.trenchdrainsupply.com

